



## PRODUCT MANUAL

### OCULAR LANDERS WIDE ANGLE SURGICAL VIEWING SYSTEM

AND

### PEYMAN-WESSELS-LANDERS 132D UPRIGHT VITRECTOMY LENS





OCULAR LANDERS WIDE ANGLE  
SURGICAL VIEWING SYSTEM (Product Code: OSVS)  
Developed with: *Maurice B. Landers, III, M.D., Chapel Hill, NC*



PEYMAN-WESSELS-LANDERS  
132D UPRIGHT VITRECTOMY LENS (Product Code: OUV-132-2)  
Developed with: *Gholam A. Peyman, M.D., New Orleans, LA*  
*Izak F. Wessels, M.D., Chattanooga, TN*  
*Maurice B. Landers, III, M.D., Chapel Hill, NC*

# Table of Contents

<b>Foreword</b> .....	<b>3</b>
<b>System Description and Function</b> .....	<b>4</b>
<b>Getting Started</b> .....	<b>5</b>
<b>Illustration of OSVS-U132-2 In Use</b> .....	<b>6</b>
<b>System Set-up and Operation</b>	
Assembly .....	<b>7</b>
Figure 1 – OSVS-U132-2 and its Components .....	<b>8</b>
Operation .....	<b>9</b>
<b>Practical Tips on Using the OSVS</b> .....	<b>10</b>
<b>Troubleshooting</b> .....	<b>11</b>
<b>OUV-132 Lens Maintenance</b>	
Cleaning/Disinfecting – OUV-132-2 .....	<b>12</b>
Sterilization - OUV-132-2 .....	<b>13</b>
<b>OSVS Maintenance</b>	
Cleaning - OSVS.....	<b>14</b>
Sterilization - OSVS .....	<b>15</b>
<b>Guarantee</b> .....	<b>16</b>
<b>Shipping the OSVS</b> .....	<b>17</b>
<b>Service Address</b> .....	<b>17</b>
<b>Safety Information</b> .....	<b>18</b>
<b>Standard Equipment List</b> .....	<b>19</b>

# Foreword

Ocular Instruments would like to thank you for your purchase of another fine product from our company. In choosing the **Ocular Landers Wide Angle Surgical Viewing System (OSVS)**, you have acquired a modern product using the latest technology in its field. You can be assured it has been manufactured and tested to the most stringent quality requirements.

When used with the **Ocular Peyman-Wessels-Landers 132 Diopter Upright Vitrectomy Lens (OUV-132-2)**, the Wide Angle Surgical Viewing System allows a clear, upright, hands-free view in the fluid or air filled eye.

Proper installation and care of the device is indispensable for accurate and safe use. For this reason, please familiarize yourself thoroughly with the contents of this instruction manual before putting the instrument into use for the first time.

If you have questions or would like additional information, please either contact us directly or the authorized Ocular distributor from whom you have purchased these products. Our service team will be most happy to assist you.

Sincerely yours,

The Management and Staff  
Ocular Instruments, Inc.

# System Description and Function

The OSVS is a non-contact vitrectomy system designed with a flexible arm for positioning wide angle lenses which easily swings in and out of the surgical field. The OSVS [clamps] attaches to the wrist rest or surgical bed, freeing the surgeon and assistant to perform tasks other than holding a lens.

When used with the Ocular Peyman-Wessels-Landers 132 Diopter Upright Vitrectomy Lens, the system allows the surgeon to work in the vitreous with an upright, non-reversed image under panoramic conditions.

During surgery, operative work is performed both outside and inside the globe. Use of the OUV-132-2 lens with the OSVS enables the surgeon to move back and forth smoothly and quickly.

**FOR BEST PERFORMANCE RESULTS,  
follow "Getting Started" instructions on page 5.**

# Getting Started

To get the best from your first surgical experience with the OSVS-U132-2, we recommend the following procedure.

- **Assemble:** Follow the assembly instructions on page 7.
- **Practice:** This is the most important step of the getting started process. Take the **non-sterile** system into the operating room. Practice setting up and adjusting the system as described in the *Operation* section on page 9. Use a member of the surgical team in place of the patient. Once all members of the surgical team are familiar with setup and adjustment, the OSVS-U132 can be prepared for surgery.
- **Sterilize:** **OUV-132-2 Lens** - Follow instructions on pages 12-13.  
**OSVS** - Follow instructions on pages 14-15.

<b>WARNING</b>	Be sure to follow the individual sterilization instructions for each component. The OUV-132-2 Lens is <i>NOT</i> steam sterilizable.
----------------	--

- **Operate:** The system is ready to assemble for surgery. Some helpful tips on use can be found on page 10.

## Illustration of OSVS-U132-2 In Use



The illustration above shows the OSVS attached to a wrist rest with the vertical shaft attached at the shoulder (Hole A) of the clamp. The surgical procedure is being performed using the Ocular Peyman-Wessels-Landers 132 Diopter Upright Vitrectomy Lens.

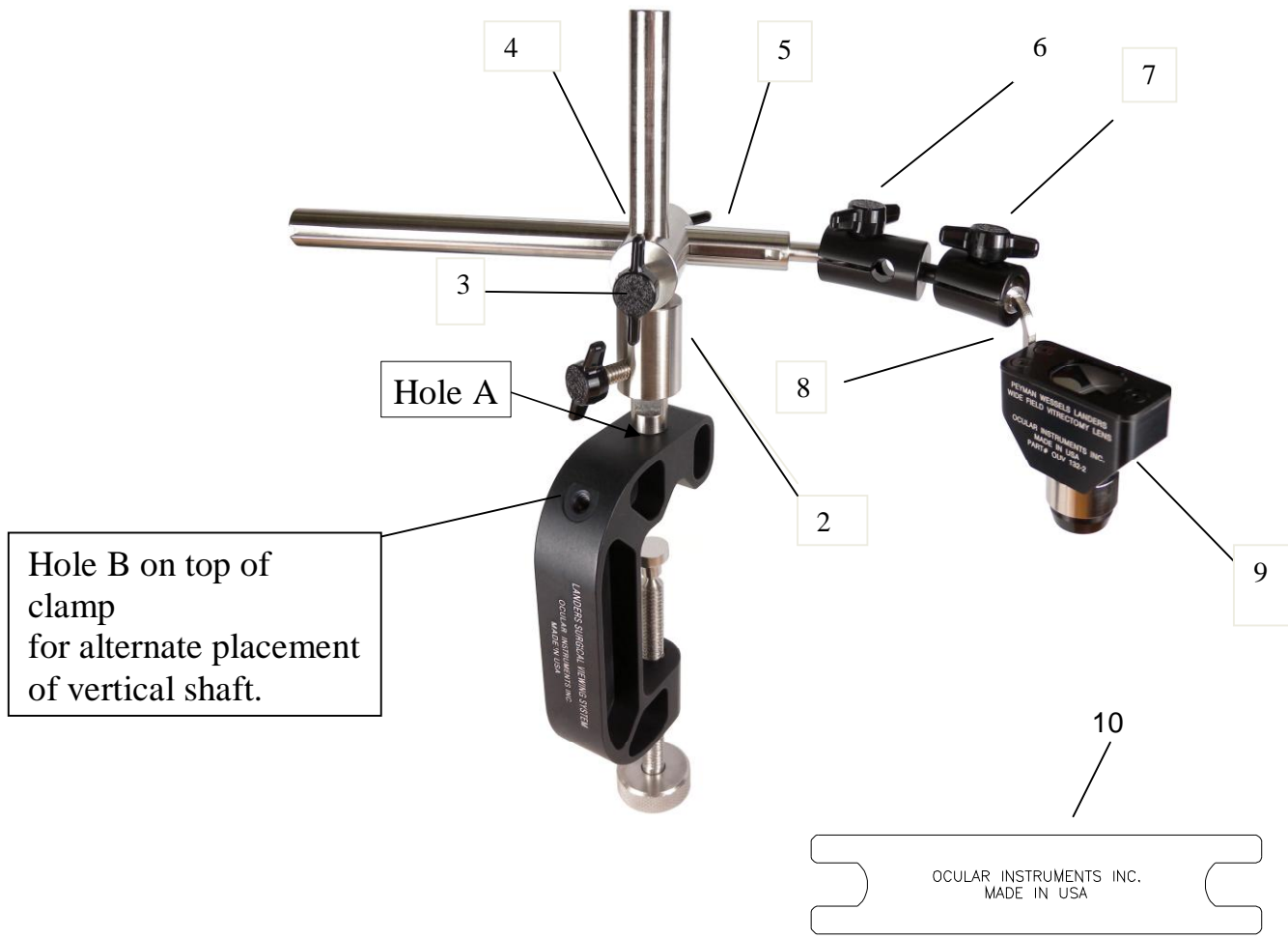
It is recommended to attach the OSVS on the same side as the eye receiving surgery as shown above. The lens holder can then approach the eye from the inferior or inferior-temporal direction.

# System Set-up and Operation

## Assembly

- Remove the OSVS from its carrying case. Please keep the carrying case available for possible storage, hand transport or shipment for servicing.
- OSVS is shipped with Post inserted into Hole B. If clamping OSVS to a wrist rest, loosen Post using Wrench and unscrew. Insert into Hole A and tighten with wrench.
- Slide Support Collar down onto Post about 1 inch from the top and tighten Thumb Screw.
- Slide Arm Clamp onto Post and tighten Thumb Screw.
- Attach OUV-132-2 Lens Holder to Slotted Arm and tighten Links with Thumb Screw.
- Slide Slotted Arm into Arm Clamp and tighten Thumb Screw.
- OSVS is now ready for use.





**Figure 1 - The OSVS-U132-2 and its components**

- No. 1 Frame Clamp
- No. 2 Post (shown inserted into Hole A)
- No. 3 Support Collar with Thumb Screw
- No. 4 Arm Clamp with Thumb Screw
- No. 5 Arm, Slotted
- No. 6 Link Female/Male (FM) with Thumb Screw
- No. 7 Link Female/Female (FF) with Thumb Screw
- No. 8 OUV-132-2 Lens Holder
- No. 9 OUV-132-2 Lens
- No. 10 Wrench

# Operation

- Sterilize OUV-132-2 and OSVS following instructions on pages 12 - 15.
- Assemble OSVS, following instructions on page 7.
- Clamp OSVS on top of surgical drape with post vertical.
- Remove OUV-132-2 Lens from its sterilizing case and insert Lens into Lens Holder.
- Focus microscope on cornea.
- Position Lens above patient's eye and tighten Thumb Screw on Arm Clamp.
- Lift Support Collar until it touches Arm Clamp and tighten Thumb Screw.
- Top of Lens should be centered in the microscope field, bottom of Lens should be centered with patient's pupil.
- Fine position Lens manually with flexible Links. Fundus will be in focus with only minor adjustments of the microscope.
- To temporarily move lens out of surgical field, loosen Thumb Screw on Arm Clamp at Post. Slide Arm Clamp up Post and rotate Slotted Arm away from eye. Slide Arm Clamp down until it touches Support Collar.
- To re-position lens, slide Arm Clamp up Post. Rotate Slotted Arm until lens is above patient's eye. Slide Arm Clamp down until it touches Support Collar and tighten Thumb Screw. Lens should now be in previous surgical position.

# Practical Tips on Using the OSVS

## Before Each Use

- Be sure that unit is in good working order.
- After sterilization, tighten Post on Frame Clamp using Wrench.

## During Use

- Maximum field of view is achieved with OUV-132-2 Lens approximately 4mm from cornea.
- Larger working distances reduce static field of view and allow greater eye rotation for viewing peripheral vitreous and retina.

## After Use

- Cleaning all parts immediately after use will simplify cleaning and maximize product life.

# Troubleshooting

Should a problem arise which you cannot correct by using the trouble shooting table below, please label the OSVS clearly as non-operational and call our service department or that of your local distributor from whom you purchased the OSVS.

<b>Problem</b>	<b>Possible Cause</b>	<b>Corrective Measures</b>
Poor Image Quality	Glass surfaces of the lens are soiled	Clean the glass surfaces with the appropriate cleaning solution
Fog Inside Lens	Seal has been damaged	Contact Ocular or Distributor for repair
OSVS wobbles	Loose Connections	Tighten the knurled screw on the OSVS Frame Clamp and tighten Post with Wrench
Links don't hold lens steady	Thumb Screw inserted into link incorrectly	Place Thumb Screw into non-threaded hole, then tighten
	Thumb Screws too loose or links have become damaged	Tighten Thumb Screws in links or replace links

# OUV-132-2 Lens Maintenance

- Remove lens from holder, then clean and disinfect.

## Cleaning and Disinfection

See Cleaning Method 1

# OSVS System Maintenance

## Remove the Lens First

Before proceeding with cleaning or sterilizing the OSVS, remove the Lens from the Lens Holder. See Lens maintenance instructions on page 12 for how to clean, disinfect and sterilize the OUV-132-2 Lens.

- Remove Slotted Post from Arm Clamp.
- Loosen screws on Links.

## Important!

After removing accessory lens and BEFORE proceeding with cleaning or sterilizing, loosen all thumb screws on assembly to avoid distortion of the threads.

## CAUTION

If Lens Holder Links are separated, re-assembly will be difficult.

- Remove Arm Clamp and Support Collar from Post.
- Clean all parts.

## Cleaning

Rinse: Upon completion of surgical procedure thoroughly rinse in cool or tepid water.  
Wash: In mild soap.  
Rinse: Thoroughly rinse in cool or tepid water, then dry carefully with a *non-linting* tissue.  
Then: Proceed with sterilization instructions.

- Sterilize all parts.

Note	System may be sterilized after complete or partial disassembly of components.
------	---

### **Sterilization - Autoclave**

Prep:	Place OSVS components in sterilizer.
Process:	Follow instructions on Cleaning Method 3

## **Guarantee**

The OSVS was carefully manufactured from the highest quality materials available and with modern production techniques. To keep the OSVS in perfect working condition, it is important these operating instructions be followed.

The OSVS is unconditionally guaranteed against defects in materials and workmanship within one year of invoice date. Problems or malfunctions caused by improper handling or external causes are not covered by the warranty. The OSVS should only be serviced by a factory trained technician. Should you encounter a problem, please return it to Ocular Instruments in its carrying case.

Proof of purchase is required before services can be provided under the guarantee. Call Ocular Instruments to obtain a Return Authorization Number prior to returning the OSVS. We recommend it be insured for the purchase price prior to shipping.

All guarantee claims are cancelled if the OSVS is altered by an unauthorized person.

Please report any shipping damage immediately to your shipping company if the unit is received in a damaged condition. Many times the shipping company will not approve a claim if the damage is not reported immediately upon receipt.

# Shipping the OSVS

In order to avoid unnecessary damage and costs, always ship the OSVS in its carrying case.

## Service Address

Before shipping any Ocular product to Ocular Instruments, contact our customer service department to obtain a Return Authorization Number (RA#). Print this number on the outside of the shipping package to assure prompt delivery to the service department.

Ocular Instruments, Inc.  
2255 116th Avenue NE  
Bellevue, WA 98004-3039  
USA

T: 425-455-5200 or 800-888-6616  
F: 425-462-6669  
E: [ocular@ocularinc.com](mailto:ocular@ocularinc.com)  
I: [www.ocularinc.com](http://www.ocularinc.com)

# Safety Information

The OSVS is part of a microsurgical operating system which is intended only for use as described in this instruction manual. Please keep these operating instructions in a secure place. Always follow these operating instructions when working within the surgical arena.

The OSVS is intended for use with operating microscopes in hospitals, clinics, outpatient facilities, etc. where ophthalmic surgery is performed and only by persons who have been properly trained.

Ocular Instruments assumes no responsibility for use of the OSVS for purposes other than those named in the instruction manual and/or by persons who have not been properly trained.

Use this instrument only with original manufacturer's parts and accessories in proper working condition. Do not use the OSVS if it has become damaged. Please contact Ocular Instruments or the authorized Ocular distributor from whom you have purchased these products, if you believe the unit needs repair.

Should a malfunction occur whose cause you cannot locate or eliminate with the Troubleshooting Table on page 11, please mark the unit clearly as non-operational and contact our customer service department at 800-888-6616 (toll free USA) or 425-455-5200, or email us at: [ocular@ocularinc.com](mailto:ocular@ocularinc.com)



# Standard Equipment List

<b><u>Item Description</u></b>	<b><u>Product Code</u></b>
1 Viewing System assembly including:	OSVS
1 Arm, Slotted	OSVS-A
1 Arm Clamp	OSVS-AC
1 Frame Clamp	OSVS-FC
1 Post	OSVS-P
1 Support Collar	OSVS-SC
2 Link, Female/Male (extras)	OSVS-LFM
1 Wrench	OSVS-W
1 Carrying Case with foam liner	OSVS-C
1 Product Manual	7267

## **OSVS-U132 Set also includes the following:**

<b><u>Item Description</u></b>	<b><u>Product Code</u></b>
1 Ocular Peyman-Wessels-Landers 132D Upright Vitrectomy Lens	OUV-132-2
1 Sterilizable Lens Case	7071
1 Ocular 132D Upright Vitrectomy Lens Holder assembled with:	OUV-H132-2
1 Link, Female/Female	OSVS-LFF
1 Link, Female/Male	OSVS-LFM
1 Autoclavable Lens Cleaning Cloth	OLCCA

We reserve the right to make technological improvements to the OSVS without prior notice.

[ Blank Page]

[ Blank Page ]